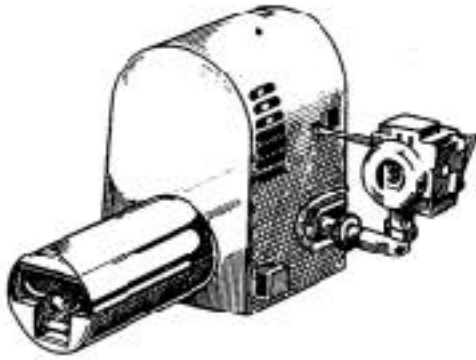


REPLACEMENT PARTS LIST



ECONOMITE MODELS: E20B & E20BP

Installation and Service
Manual 8470-78
First issue Date Coded 893.

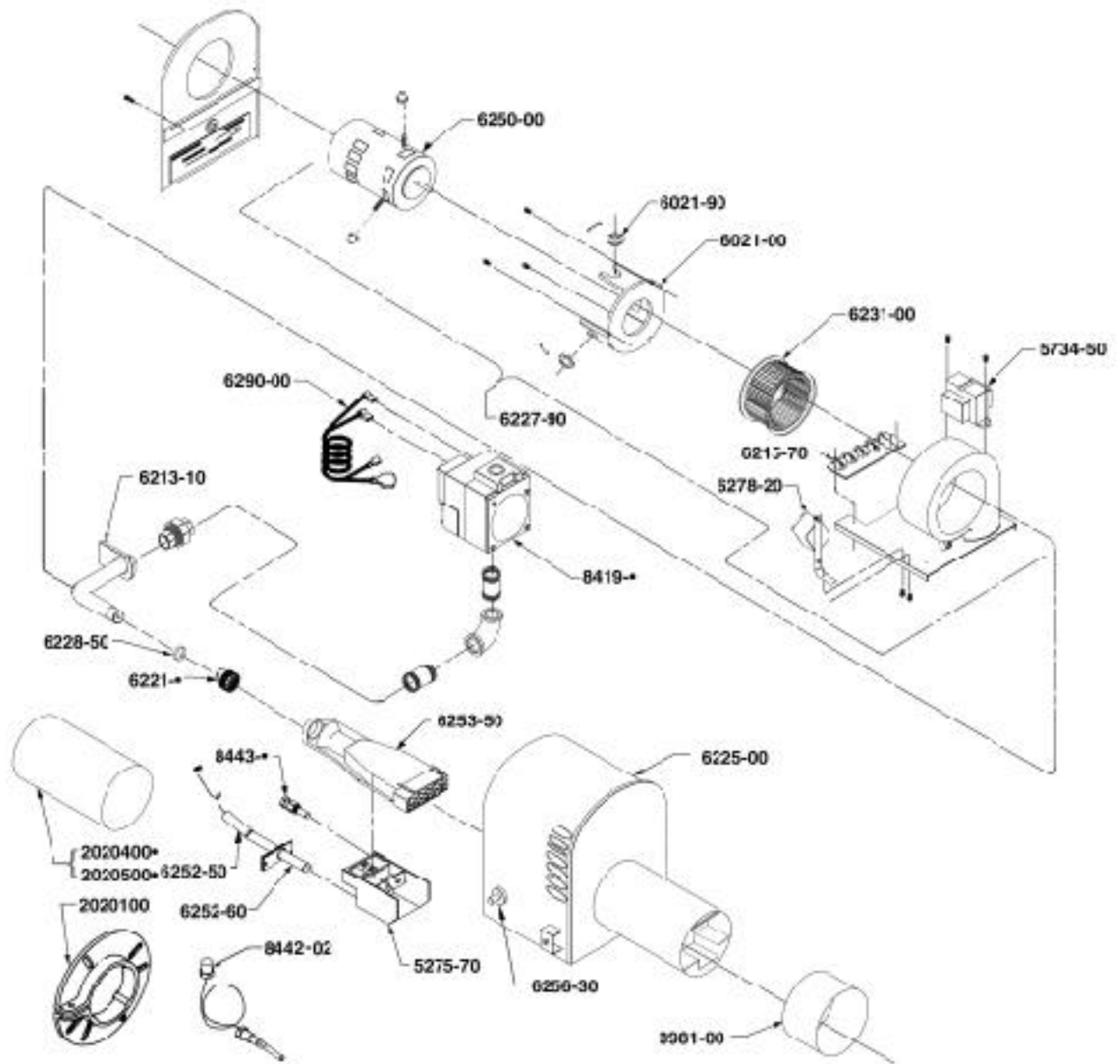
- First construction September 27, 1993 (Date Code 3393), features a 30VA Transformer to accommodate higher current draw for newer Honeywell Combination Valves, Terminal Strip with 4-terminals plus earth ground terminal and modified wiring. Currently E20B and E20BP Motor Shelf assemblies are interchangeable with Model DS24A.
- Supersedes Models E20A and E20AP which featured a 20VA Transformer and Terminal Strip with 5-terminals plus earth ground terminal.

IMPORTANT: Availability of parts as well as specifications are subject to change without notice.
Please consult factory for item availability.

AVOID ERROR IN PARTS SELECTION. When ordering use complete MIDCO Part Number and Description.
Furnish burner model number, bill of material number, serial number or Date Code from rating plate.

MIDCO International Inc.

4140 WEST VICTORIA STREET • CHICAGO, ILLINOIS 60646 • (773) 604-8700 FAX: (773) 604-4070 • <http://www.midco-intl.com>



• Refer to listing for proper application

<u>PART NO.</u>	<u>DESCRIPTION</u>	<u>PART NO.</u>	<u>DESCRIPTION</u>
3981-00	4" Dia. Stainless Nozzle Sleeve	6228-50	Spud Gasket
5275-70	Pilot Burner Assembly with (.018) NATURAL Spud less electrode	6231-00	Blower Wheel
5734-50	Transformer 115/1/50-60 Primary, 24V-30VA Secondary; (Prod. Unlimited 4000-01M04J232)	6250-00	Motor with built in centrifugal switch-120 volt (Fasco 7121-6655)
6021-00	Motor Mounting Bracket	6252-50	Spark Electrode Insulator Sleeve
6021-90	3 Rubber Motor Mounts and Clips	6252-60	Spark Electrode Kit with Gasket (less insulator sleeve)
6213-10	Orifice Pipe Elbow and Seal Assembly	6253-50	Burner Nozzle with Ribbon
6215-70	Terminal Strip Only	6256-30	Ignition Device Kit
6221-08	Main Spud-1/8 Drill (.125)-50,000 to 70,000 BTU/hr.-PROPANE	6278-20	Motor Switching Relay-24 volt (Prod. Unlimited 9400-01Q2232)
6221-09	Main Spud-#24 Drill (.152)-50,000 to 70,000 BTU/hr.-NATURAL; 70,000 to 100,000 BTU/hr.-PROPANE	6290-00	Valve Wire
6221-10	Main Spud-#15 Drill (.180)-70,000 to 100,000 BTU/hr.-NATURAL; 100,000 to 150,000 BTU/hr.-PROPANE	8419-11	1/2" (single seated) Combination Main Valve with Regulator-24 volt (Robertshaw 7000BER; M-H V800A, V800M)-Natural gas only
6221-11	Main Spud-7/32 Drill (.218)-100,000 to 150,000 BTU/hr.-NATURAL; 150,000 to 225,000 BTU/hr.-PROPANE	8419-44	1/2" 4-Function Redundant Main Valve with Regulator (M-H VR8300A2106 Propane gas only)
6221-12	Main Spud-1" Drill (.272)-150,000 to 225,000 BTU/hr.-NATURAL	8433-03	Pilot Spud (.018)-NATURAL (3218)
6225-00	Plenum and Tube Assembly	8433-08	Pilot Spud (.012)-PROPANE (4212)
6227-90	Blower Shelf Kit (includes Motor, Blower Wheel and Housing, Terminal Strip, Motor Relay and 24 volt Transformer)	8442-02	Thermocouple -30" (Baso K15FA, K15DA; M-H Q309)
		2020100	4" Dia. Mounting Flange
		2020400	4" Long Accesory Blast Tube Extension
		2020500	8" Long Accesory Blast Tube Extension