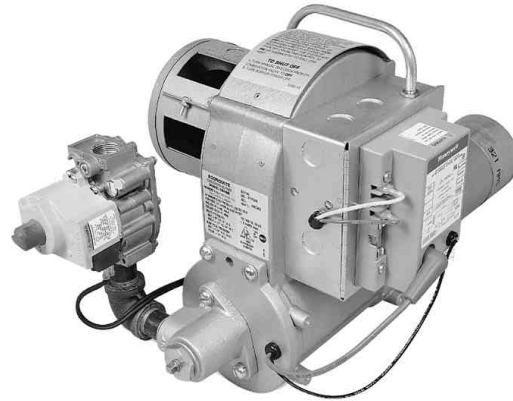


Replacement Parts List

Economite Model DS45



Discontinued Installation and Service Manual 8470-17
(Refer to historical data below)

Current Installation and Service Manual 8470-22

- ▶ First construction started June 1, 1987 (date code 2387).
- ▶ Features a Honeywell DSI Electronic Control Board.
- ▶ Supersedes Model DS44 which featured either Fenwal or Honeywell Control Boards. The Model Number DS45 was assigned to alleviate possible confusion in replacing Control Boards on Model DS44. Model DS45 is constructed identical to the Model DS44 with Honeywell Control Board.
- ▶ A limited run of burners (approximately 100) were made early in 1987. These burners were identical to current production except that the Installation Manual and PROPANE Conversion Kit featured Lo-Pressure conversion. Burners were built under Bills of Materials 4120200, 4120210 and 4120211. This Lo-Pressure PROPANE feature was discontinued in favor of the more conventional Hi-Pressure PROPANE conversion. For this limited production series, request the discontinued Installation and Service Manual listed above.

Items listed are available replacement parts for this current ECONOMITE model. Unlisted parts are not available.

AVOID ERROR IN PARTS SELECTION. When ordering use complete MIDCO Part Number and Description. Furnish burner model number, bill of material number and date code (if available) from rating plate.



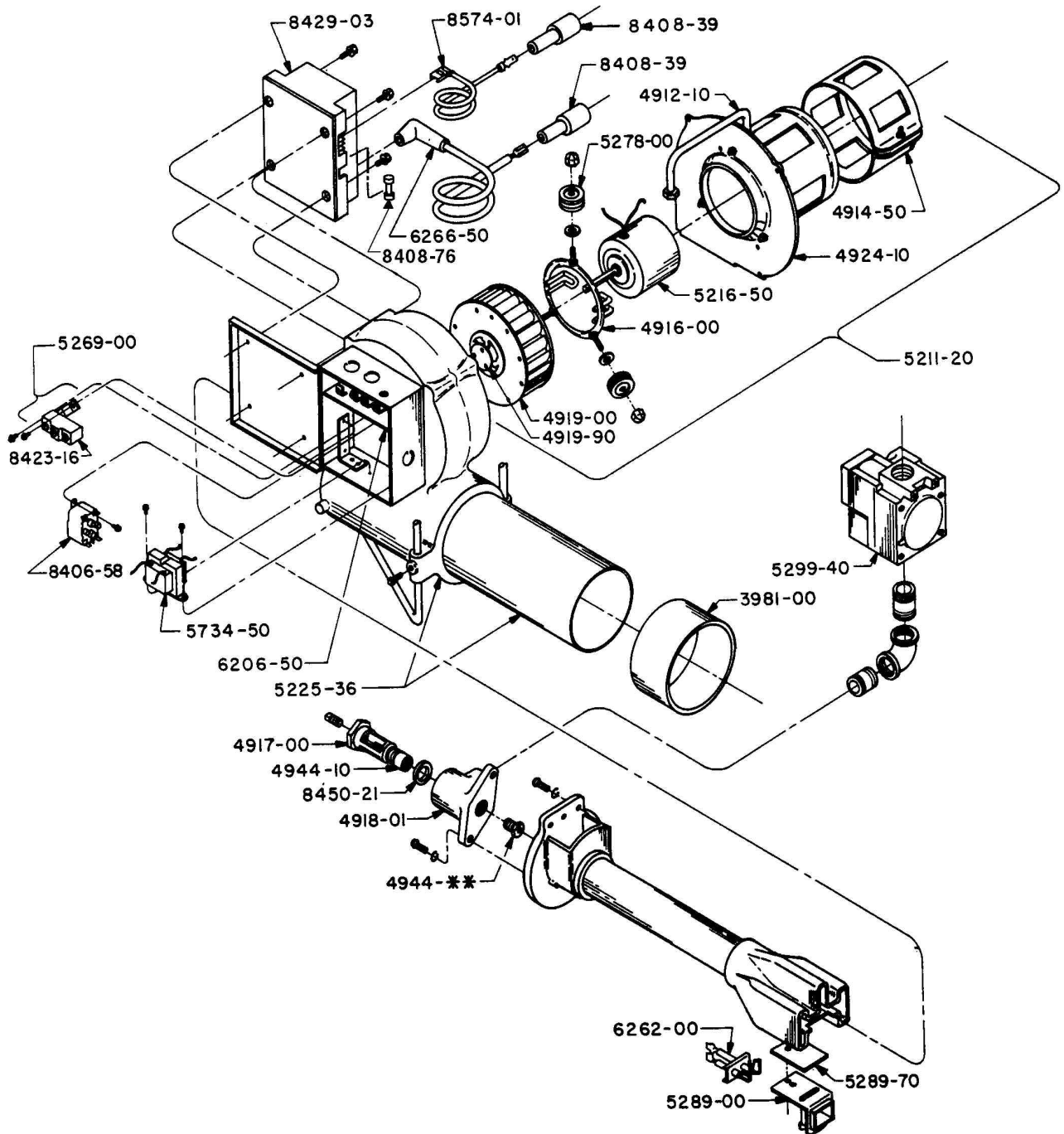
Midco[®]
INTERNATIONAL

Midco International Inc.

4140 West Victoria Street
Chicago, Illinois 60646
tel 773.604.8700
fax 773.604.4070
web www.midco-intl.com
e-mail sales@midco-intl.com

Quality Designed for Proven Performance

700
8472 08
Printed in USA



*** Refer to listing for proper application*

PART NO.	DESCRIPTION	PART NO.	DESCRIPTION
3981-00	4" Dia. Stainless Nozzle Sleeve	6206-50	Terminal Strip only
4912-10	Motor Conduit with hardware	6262-00	Electrode Assembly (order Mounting Bracket and Gasket separately)
4914-50	External Air Shutter	6266-50	Hi-Voltage Cable (order Silicone Boot for Spark Electrode separately)
4916-00	Motor Mounting Ring less Rubber Mounts and Nuts	8406-58	Motor Switching Relay - 24 volt (Prod. Unlimited 9400-01Q2232)
4917-00	Main Orifice Holder	8408-76	3-Amp type 3AG Glass Fuse - 1/4" Dia. x 11/4" LG
4918-01	Orifice Elbow (3/4" NPT)	8408-39	Silicone Boot - may be used on Flame Sensor or Spark Electrode
4919-00	Blower Wheel complete with Centrifugal Actuator and Disc	8418-06*, ¹	PROPANE Regulator Head Kit for Honeywell VR8450 Valve Series (11.0" W.C.)
4919-90	Centrifugal Actuator Disc	8419-49	PROPANE Regulator Head Kit for Honeywell VR8305 Valve Series (11.0" W.C.)
4924-10	Inlet Side Plate	8423-16	Blower Interlock Switch (Micro BZ2RQ174-A2)
4944-01	Main Spud 11/32 Drill (.343) minimum capacity - NATURAL	8429-03 ²	DSI Electronic Control (M-H S87D1087)
4944-02	Main Spud - 25/64 Drill (.390) maximum capacity - NATURAL	8450-21	Orifice Holder Sealing Gasket
4944-03	Main Spud #21 Drill (.159) minimum capacity - PROPANE - Drill for desired capacity per manual	8470-17*, ¹	Installation and Service Manual (Discontinued - see page 1)
4944-10	Main Spud Extension(s)	8470-22*	Installation and Service Manual
5211-20	Motor Wheel, Side Plate and Cage Assembly - 120/1/60	8574-01	Sensor Wire (order Silicone Boot for Flame Sensor separately)
5216-50	Motor less Mounting Ring and Rubber Mounts 120/1/60 (Universal Electric JB2P048N#; Fasco 7163-7511)	2020100*	4" Dia. Mounting Flange
5225-36	Blower Housing and Blast Tube Assembly	2020400*	4" Long Accessory Blast Tube Extension
5269-00	Blower Interlock Switch with Bracket	2020500*	8" Long Accessory Blast Tube Extension
5278-00	3 Rubber Mounts and Nuts		
5289-00	Electrode Mounting Bracket		
5289-70	Electrode Mounting Bracket Gasket		
5299-40 ³	Combination Valve Replacement Kit		
5734-50	Transformer 115/1/50-60 Primary, 24V-30VA Secondary (Prod. Unlimited 4000-01M07J232, 4000-01M07K232; Basler BE121630GDD, BE121630GAA)		

* NOT ILLUSTRATED

NOTES

1. Refer to Historical Information on page 1.
2. **WARNING: EXPLOSION HAZARD. CAN CAUSE SERIOUS INJURY OR DEATH. AN ELECTRONIC DEVICE CAN MALFUNCTION IF IT GETS WET. NEVER TRY TO USE A DEVICE THAT HAS BEEN WET - REPLACE IT.**
3. Honeywell discontinued production of VR8450 valves. This kit includes a combination gas valve, wire harness to retrofit existing burners.

