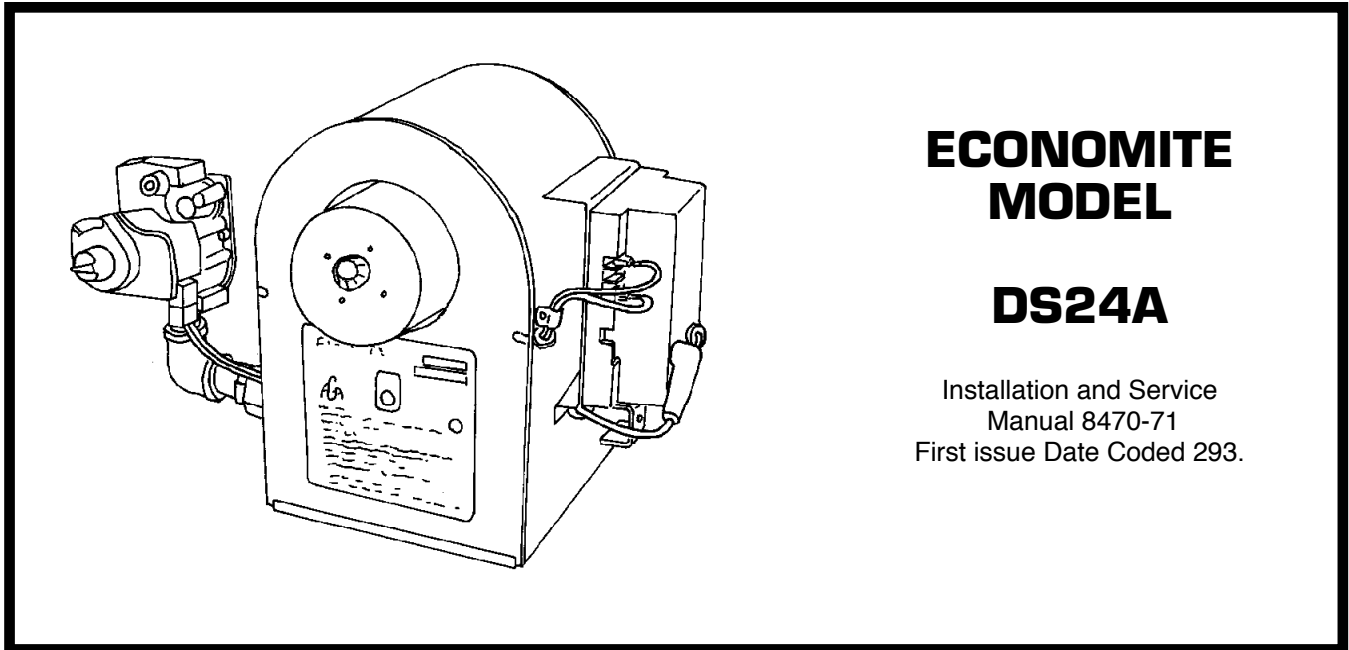


# REPLACEMENT PARTS LIST



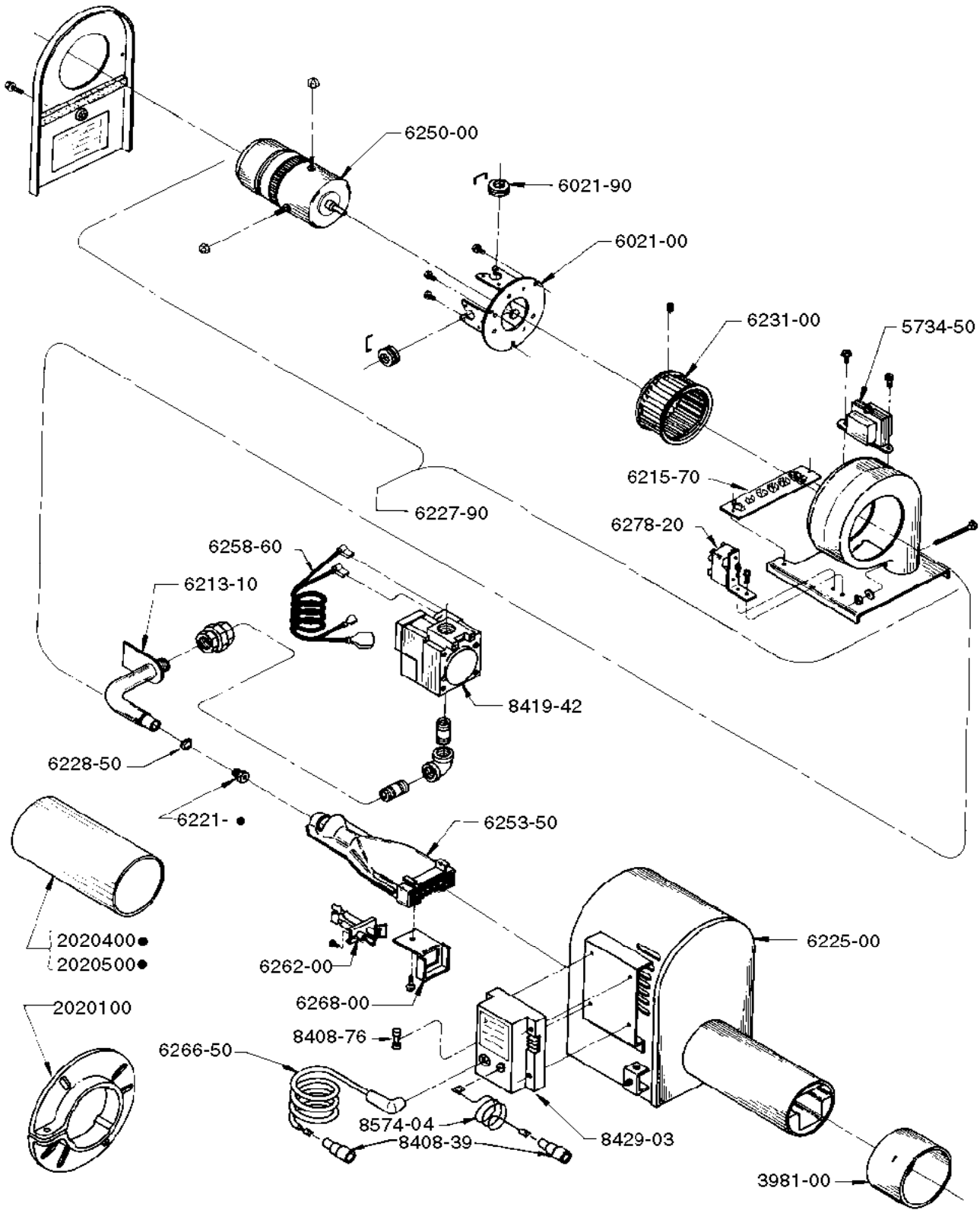
- First construction March 15, 1993 (date code 1193). Features a 30VA Transformer to accommodate higher valve current draw on newer Honeywell Combination Valves, Terminal Strip with 4-terminals plus earth ground terminal and modified wiring. Currently DS24A Motor Shelf assembly is interchangeable with Models E20B and E20BP.
- Supersedes Model DS24 featuring a 20VA Transformer and Terminal Strip with 5-terminals plus earth ground terminal.

IMPORTANT: Availability of parts as well as specifications are subject to change without notice.  
Please consult factory for item availability.

**AVOID ERROR IN PARTS SELECTION.** When ordering use complete MIDCO Part Number and Description. Furnish burner model number, bill of material number and date code from specification plate.

**MIDCO International Inc.**

4140 WEST VICTORIA STREET • CHICAGO, ILLINOIS 60646 • (773) 604-8700 FAX: (773) 604-4070 • <http://www.midco-intl.com>



● Refer to listing for proper application.

LAYOUT MAY NOT BE AS SHOWN

<b><u>PART NO.</u></b>	<b><u>DESCRIPTION</u></b>	<b><u>PART NO.</u></b>	<b><u>DESCRIPTION</u></b>
3981-00	4" Dia. Stainless Nozzle Sleeve	6250-00	Motor with built in centrifugal switch - 120 volt (Fasco 7121-6655)
5734-50	Transformer 115/1/50-60 Primary, 24V-30VA Secondary; (Prod. Unlimited 4000-01M04J232)	6253-50	Burner Nozzle with Ribbon
6021-00	Motor Mounting Bracket	6258-60	Valve Wire Assembly
6021-90	3 Rubber Motor Mounts and Clips	6262-00	Electrode Assembly (order Mounting Bracket separately)
6213-10	Orifice Pipe Elbow and Seal Assembly	6266-50	High voltage Cable - Order Silicone Boot separately
6215-70	Terminal Strip only	6268-00	Electrode Mounting Bracket
6221-08	Main Spud - 1/8 Drill (.125) - 50,000 to 70,000 BTU/hr. - PROPANE	6278-20	Motor Switching Relay - 24 volt (Prod. Unlimited 9400-01Q2232)
6221-09	Main Spud - #24 Drill (.152) - 50,000 to 70,000 BTU/hr. - NATURAL; 70,000 to 100,000 BTU/hr. - PROPANE	8408-39	Silicone Boot - may be used on Spark Electrode or Sense Electrode
6221-10	Main Spud - #15 Drill (.180) - 70,000 to 100,000 BTU/hr. - NATURAL; 100,000 to 150,000 BTU/hr. - PROPANE	8408-76	3-Amp Type 3AG Glass Fuse 1/4" Dia. x 1 1/4" LG
6221-11	Main Spud - 7/32 Drill (.218) - 100,000 to 150,000 BTU/hr. - NATURAL; 150,000 to 225,000 BTU/hr. - PROPANE	8419-42	1/2" 3-Function Redundant Main Valve with Regulator (M-H VR8305M2102)
6221-12	Main Spud - "I" Drill (.272) - 150,000 to 225,000 BTU/hr. - NATURAL	8429-03	Electronic Control (M-H S87D1087)
6225-00	Plenum and Tube Assembly	8574-04	Sense Wire (order Silicone Boot for Sense Electrode separately)
6227-90	Blower Shelf Kit (includes Motor, Blower Wheel and Housing, Terminal Strip, Motor Relay and 24 volt Transformer)	2020100	4" Dia. Mounting Flange
6228-50	Spud Gasket	2020400	4" Long Accessory Blast Tube Extension
6231-00	Blower Wheel	2020500	8" Long Accessory Blast Tube Extension