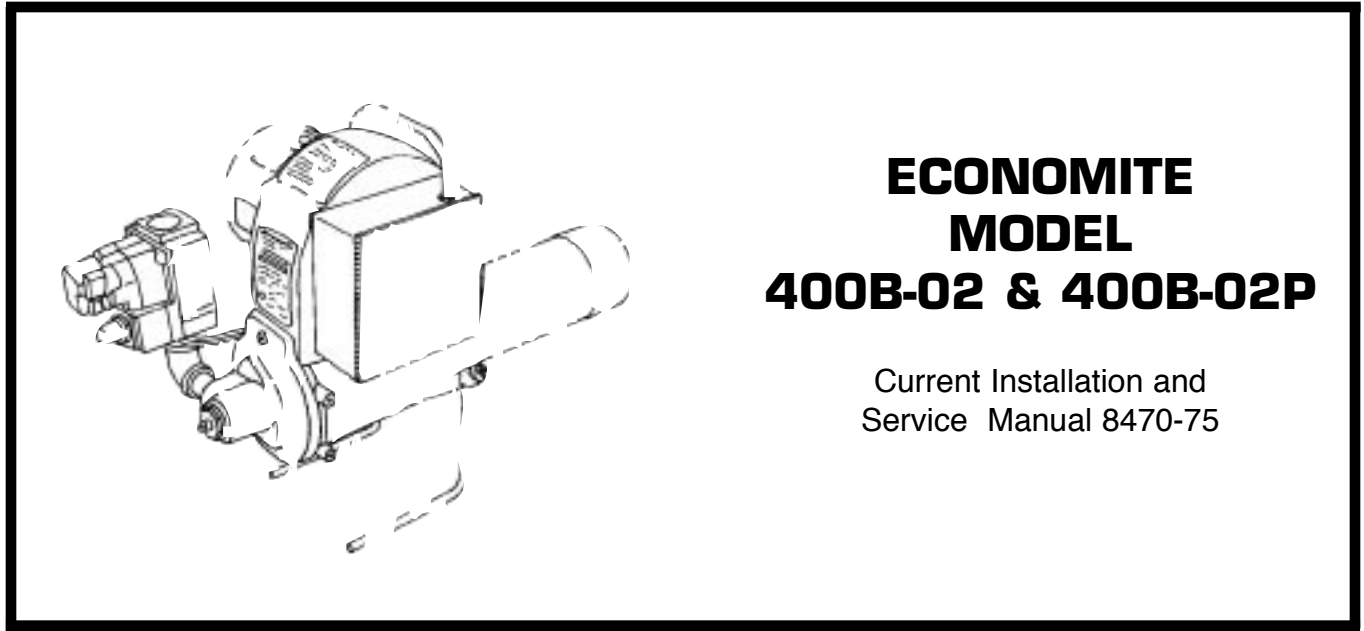


REPLACEMENT PARTS LIST



- First construction started May 1, 1994 (date code 2194).
- Supersedes Model 400A-02.

IMPORTANT: Availability of parts as well as specifications are subject to change without notice.
Please consult factory for item availability.

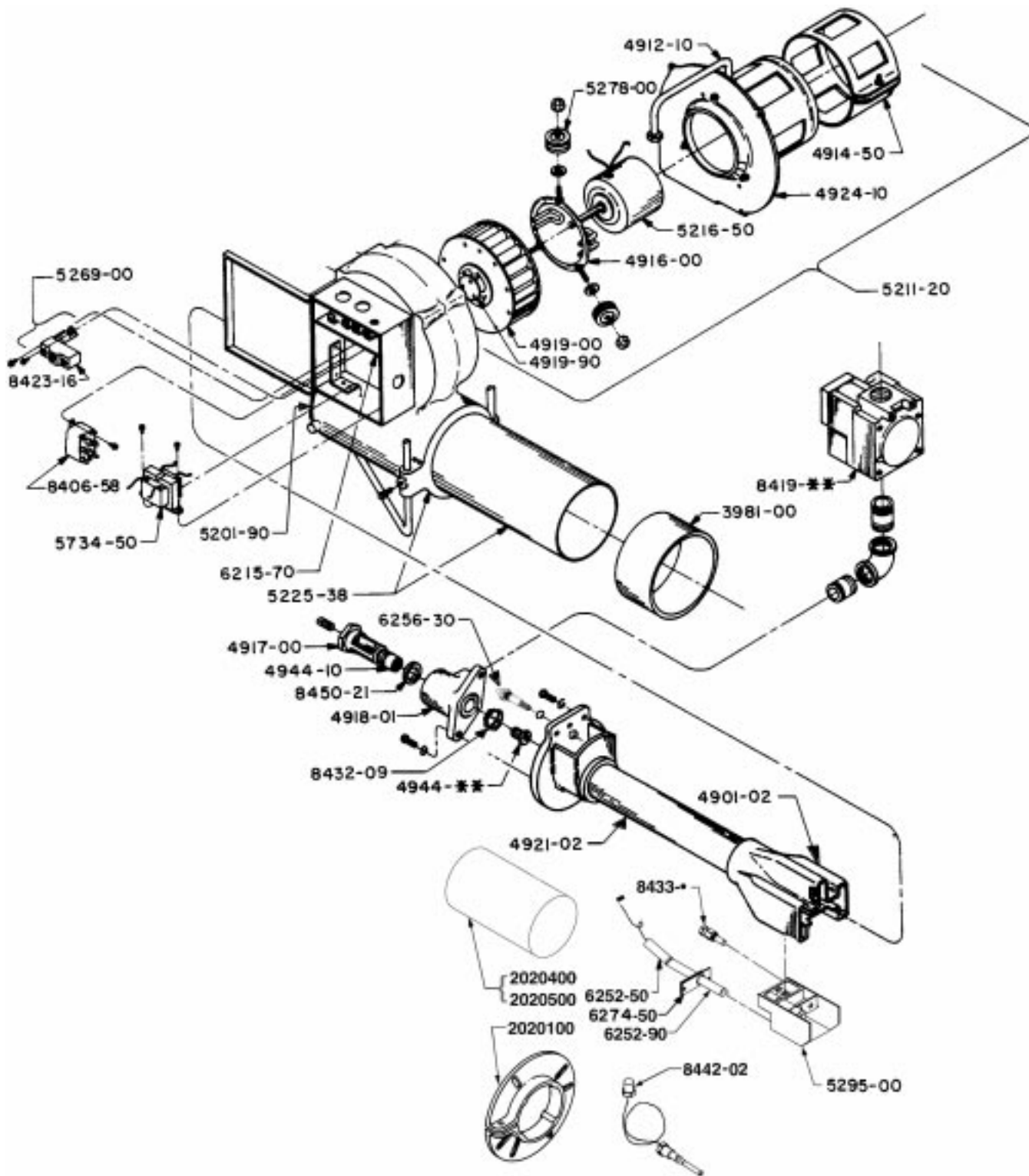
AVOID ERROR IN PARTS SELECTION. When ordering use complete MIDCO Part Number and Description. Furnish burner model number, bill of material number, serial number or date code from rating plate.

MIDCO international inc

440 WEST VICTORIA STREET CHICAGO, ILLINOIS 60646 (773) 604-8700 FAX (773) 604-4070 <http://www.midco-intl.com>

PRINTED IN U.S.A.

897
8472-65



Component layout may not be as shown.
 **Refer to listing for proper application.

<u>PART NO.</u>	<u>DESCRIPTION</u>	<u>PART NO.</u>	<u>DESCRIPTION</u>
3981-00	4" Dia. Stainless Nozzle Sleeve	5734-50 ¹	Transformer 115/1/50-60 Primary, 24V-30VA Secondary (Prod. Unlimited
4912-10	Motor Conduit with hardware		4000-01M07J232, 4000-01M07K232;
4914-50	External Air Shutter		Basler BE121630GDD, BE121630GAA)
4916-00	Motor Mounting Ring less Rubber Mounts and Nuts	6215-70	Terminal Strip only
4917-00	Main Orifice Holder	6252-50	Spark Rod Insulator Sleeve
4918-01	Orifice Elbow (3/4" NPT)	6252-90	Spark Electrode
4919-00	Blower Wheel complete with Centrifugal Actuator and Disc	6256-30	Piezo Ignitor Kit
4919-90	Centrifugal Actuator Disc	6274-50	Spark Electrode Gasket
4924-10	Inlet Side Plate	8406-58	Motor Switching Relay-24 volt (Prod. Unlimited 9400-01Q2232)
4944-01	Main Spud 11/32 Drill (.343) minimum capacity-NATURAL	8419-46 ¹	3/4" 3-Function Main Valve with Regulator (M-H V800A1328)-Natural Gas
4944-02	Main Spud-25/64 Drill (.390) maximum capacity-NATURAL	8419-47 ¹	3/4" 3-Function Redundant Main Valve (M-H VR8300A4003)-LP must be used with 8419-49 #393691 for LP Gas only
4944-03	Main Spud #21 Drill (.159) minimum capacity-PROPANE-Drill for desired capacity per manual	8419-49 ¹	LP Regulator Kit #393691. Must be used with VR8300A4003.
4944-10	Main Spud Extension	8423-16	Blower Interlock Switch (Micro BZ2RQ174-A2)
5201-90	400-Series Rubber Seal Strip		O-Ring Seal
5211-20	Motor Wheel, Side Plate and Cage Assembly-120/1/60	8432-09	1" O.D. O-Ring Gasket for Piezo Ignitor
5216-50	Motor less Mounting Ring and Rubber Mounts 120/1/60 (Universal Electric JB2P048N#; Fasco 7163-7511)	8432-10	Pilot Orifice 3221-021 Natural Gas
5225-38	Blower Housing and Blast Tube Assembly	8433-06	Pilot Orifice 4212-012 LP Gas
5269-00	Blower Interlock Switch with Bracket	8442-02	30" Thermocouple
5278-00	3 Rubber Mounts and Nuts	8450-21	Orifice Holder Sealing Gasket
5292-00*	DS45B/400B-02 LP Gas Valve Wire	8470-75*	Installation and Service Manual
5295-00	Pilot Burner Weldment-order Pilot Orifice seperately	2020100	4" Dia. Mounting Flange
5299-00*	400B Valve Wire Natural Gas	2020400	4" Long Accessory Blast Tube Extension
		2020500	8" Long Accessory Blast Tube Extension

*NOT ILLUSTRATED

Items not listed are not available.

NOTES

- WARNING: EXPLOSION HAZARD. CAN CAUSE SERIOUS INJURY OR DEATH. AN ELECTRONIC DEVICE CAN MALFUNCTION IF IT GETS WET. NEVER TRY TO USE A DEVICE THAT HAS BEEN WET-REPLACE IT.**