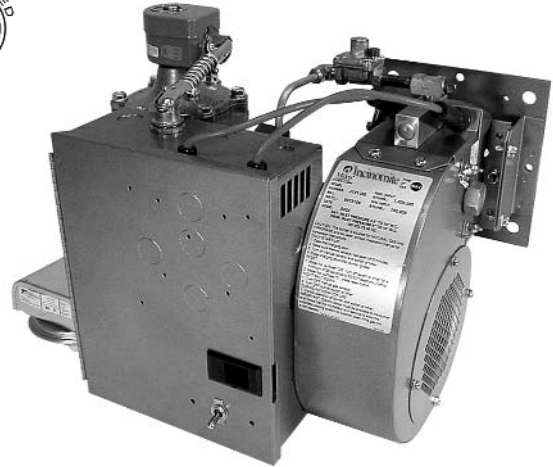


Replacement Parts List

Incinomite Model J121-DS



*Installation and Service Manual 8471 15
Date coded 5099 or later*

- Features S87D Honeywell Electronic Control.
- First production December 21, 1999 (date code 5099).
- Model J121-DS ignitor assembly features an air adjustment screw to modify gas air ratios for improved pilot light offs with air shutters full open.
- Model J121-DS Features S89E Special J121-DS with 120 volt ignition transformer (date coded - 2002)



Midco[®]
INTERNATIONAL

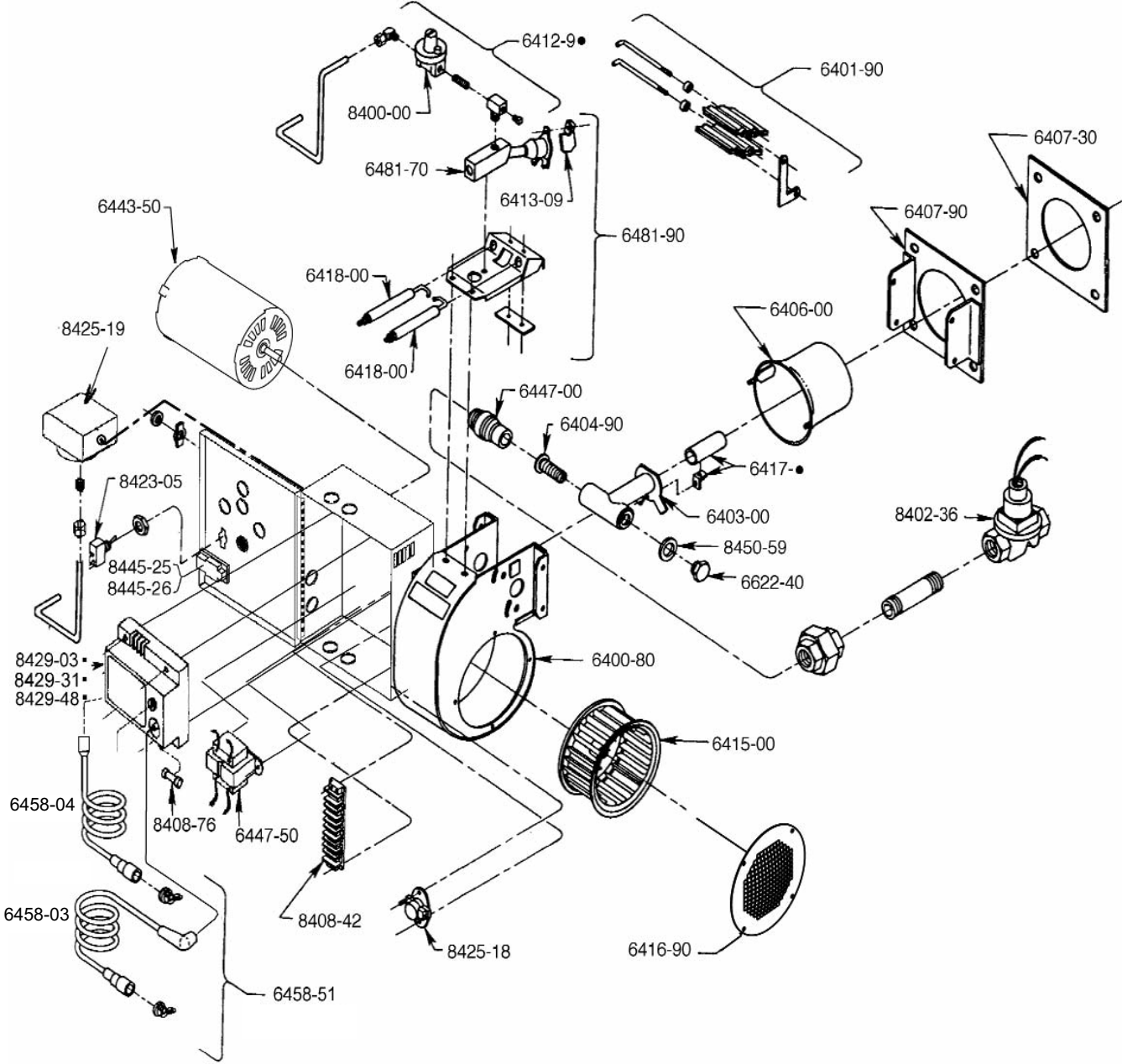
Midco International Inc.
4140 West Victoria Street
Chicago, Illinois 60646
tel 773.604.8700
fax 773.604.4070
web www.midcointernational.com
e-mail sales@midcointernational.com

IMPORTANT: Availability of parts as well as specifications are subject to change without notice. Please consult factory for item availability.

AVOID ERROR IN PARTS SELECTION. When ordering, use complete MIDCO part number and description. Furnish burner model number, bill of material number and date code from specification plate.

Quality Designed for Proven Performance

1109
8472 72
Printed in USA



Refer to listing for proper application

J121-DS Parts List

<i>Part #</i>	<i>Description</i>
6416-90	Inlet Ring and Screen Replacement Kit
6400-80	Blower Housing Replacement Kit (order Blower Wheel, Motor, Shutters, Inlet Screen, Manifold, etc., separately)
6401-90	Shutter Replacement Kit
6403-00	Manifold
6404-90	Input Adjuster Screw Assembly
6406-00	Blast Tube - J121-DS
6407-30	Flange Gasket
6407-90	Mounting Flange Replacement Kit (order Gasket separately)

IGNITOR CONTROL PIPING

Assembly includes Brass Orifice Tee (with drilled Orifice), Pressure Tap, Regulator and Compression Fitting

6412-96	J121-DS NATURAL -- #50 Drill (.070)
6412-98	J121-DS PROPANE -- #52 Drill (.063)
6413-09	Ground Barrier Kit
6415-00	Blower Wheel - J121-DS
6416-90	Inlet Ring and Screen Kit
6417-52	Main Gas Port and Tube Kit -- J121-DS PROPANE
6417-54	Main Gas Port and Tube Kit -- J121-DS NATURAL
6418-00	Electrode (spark or flame) - 2 required
6443-50	Motor 1/6 HP 115/230/1/50/60 TENV -- J121-DS only
6447-00	Input Stop Nipple

<i>Part #</i>	<i>Description</i>
6447-50	Transformer 115/1/50-60 Primary, 24V-30VA Secondary
6458-03	J121-DS Spark Wire Assembly
6458-04	J121-DS Sense Wire Assembly
6458-51	Electric Wires, Boots and Strain Reliefs (J121-DS Standard Only)
6481-70	Ignitor Gas Inlet Block, Tube and Ignitor Tip Assembly -- J121-DS
6481-90	Ignitor Assembly - J121-DS
6622-40	Input Adjuster Cap
8400-00	Ignitor Regulator 1/8 NPT (Maxitrol RV12, RV12LT)
8402-36	1" NPT Gas Valve 24/1/50-60 -- J121-DS (ITT K3A461S)
8408-42	10 Positional Terminal Strip
8408-76	3-Amp Type 3AG Glass Fuse -- 1/4" Dia. x 1-1/4" LG
8423-05	On-Off Toggle Switch
8425-18	Thermal Switch (T-O-D 60T-13-203420)
8425-19	Blower Air Switch -- J121-DS
8429-03 *	DSI Electronic Control Board (MH S87D1087)
8429-31 *	DSI Electronic Control Board (MH S87K1016)
8445-25	Latch Body
8445-26	Latch Body Snap clip
8429-48 *	DSI Electrical Control Board (MH S89E1058)
8447-22 ^{1, 2}	Ignitor Spark Generator
8450-59	Input Adjuster Sealing Gasket
2030801 ¹	PROPANE Conversion Kit -- J121-DS
	Not Shown
5233-95 ^{1, 2}	J121-DS Sense Wire Assembly - (S89E Only)

* For proper electronic control selection refer to Bill of Material Number on the burner spec plate and consult factory, as they are not interchangeable.

NOTES

1. Not Illustrated.
2. Used on J121-DS with S89E control Only.



Midco International Inc.
4140 West Victoria Street * Chicago, Illinois 60646
tel 773.604.8700 fax 773.604.4070
web www.midcointernational.com
email sales@midcointernational.com



1109
8472 72
Printed in USA