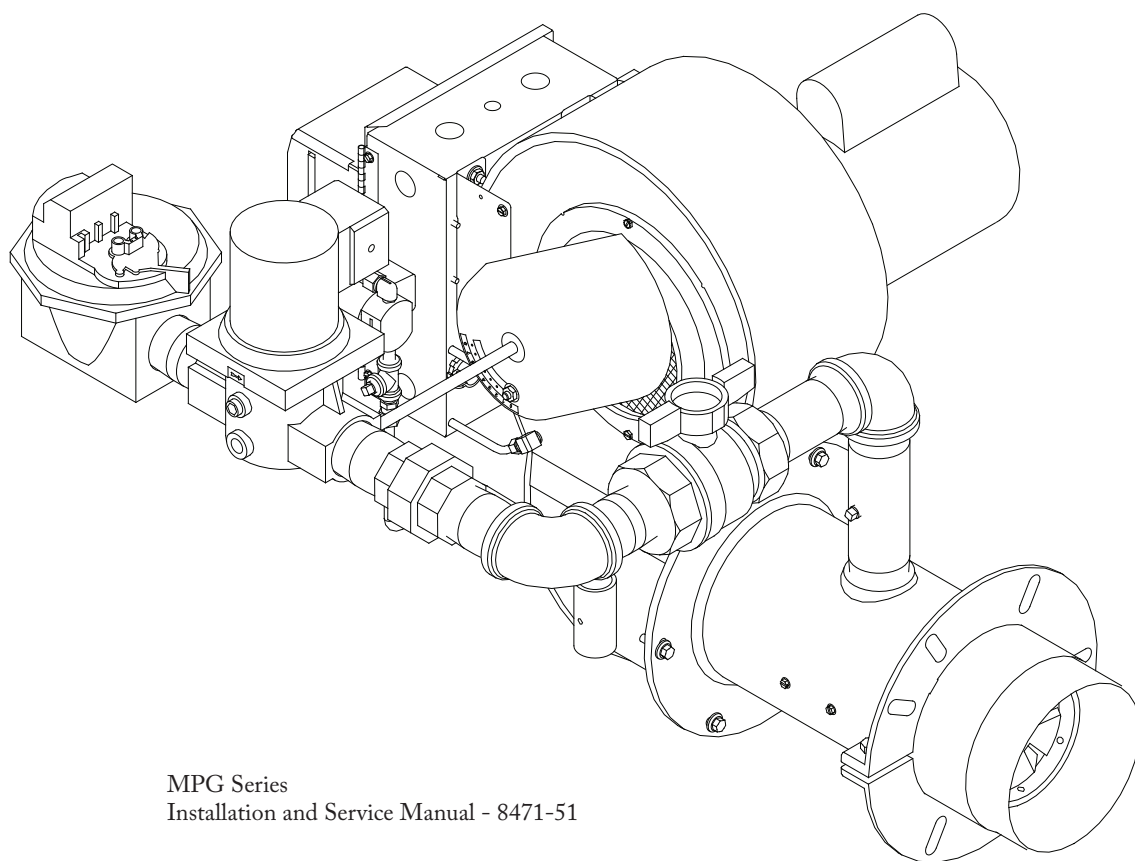


Replacement Parts List

Unipower MPG 1.5 and MPG 2.5



MPG Series
Installation and Service Manual - 8471-51



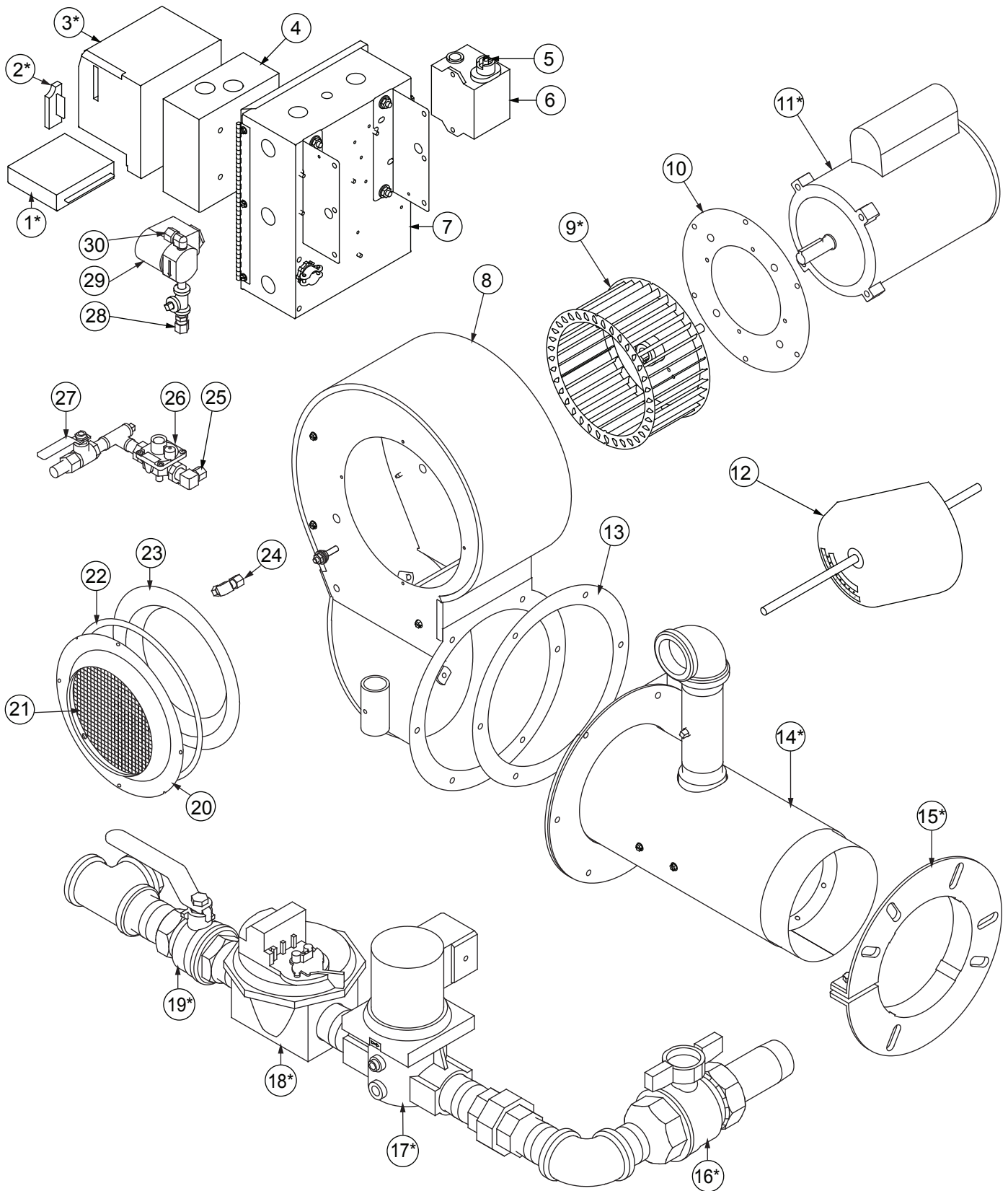
Midco®
INTERNATIONAL

Midco® International Inc.
4140 West Victoria Street
Chicago, Illinois 60646
tel 773.604.8700
fax 773.604.4070
web www.midcointernational.com
e-mail sales@midcointernational.com

AVOID ERROR IN PARTS SELECTION. When ordering use complete MIDCO Part Number and Description. Furnish Burner Model Number, Bill of Material Number and Serial Number (if available) from the specification plate found on the product.

IMPORTANT: Availability of parts as well as specifications are subject to change without notice. Please consult factory for item availability.

Exploded View - MPG 1.5 & MPG 2.5



* Refer to page 3 - Parts List -
for variations and part numbers

Parts List

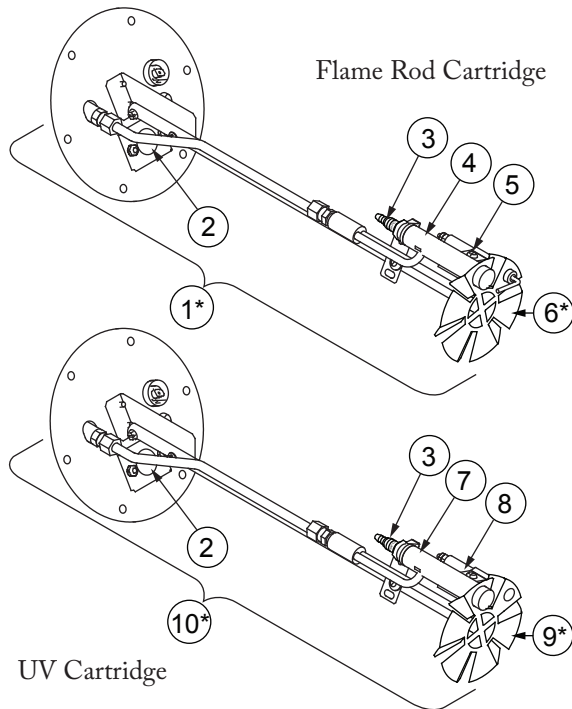
Item	Part #	Description	Qty	Item	Part #	Description	Qty
1a	8429-27	R7847A Rect Flame Amplifier	1	21	5238-72	MPG 1.5/2.5 Air Screen	1
1b	8429-30	R7849A UV Amplifier	1	22	5238-73	MPG Blower Gasket	1
2a	8429-25	ST7800A1062 90-Sec Timer (Inside)	1	23	8437-62	Inlet Ring	1
2b	8429-22	ST7800A1039 30-Sec Timer (Inside)	1	24	8483-00	1/8" M X 1/4" Tube Elbow	1
3a	8429-56	RM7895E Controller (Rect Flame)	1	25	8483-11	1/4" M X 5/16" Tube Elbow	1
3b	8429-19	RM7895A Controller (UV)	1	26	8400-10	1/4" Pilot Regulator	1
4	8429-16	Q7800B Sub Base	1	27	8404-28	1/4" Ball Valve	1
5	8408-94	10-32 Terminal Nut	1	28	8483-30	1/8" M X 5/16" Tube Straight Fitting	5
6	8447-22	Ignitor Spark Generator	1	29	8402-00	1/8" NPT Solenoid Valve, 120v	1
7	5244-50	MPG Control Box (Approx. 9"x7.5"x3.5")	1	30	8483-01	1/8" M X 5/16" Tube Elbow	1
8	5238-06	MPG 1.5/2.5 Blower Housing	1				
9a	3627-50	MPG 1.5 Blower Wheel 7" X 3.5"	1				
9b	7349-00	MPG 2.5 Blower Wheel 7" X 4"	1				
10	3197-50	Motor Adaptor Flange	1				
11a	8437-16	MPG 1.5 1/2 Hp Motor, Single Phase	1				
11b	8437-23	MPG 2.5 3/4 Hp Motor, Single Phase	1				
12	5238-07	MPG 1.5/2.5 Air Shutter	1				
13	5238-36	MPG Housing Gasket	1				
14a	5238-08	MPG 1.5 Blast Tube	1				
14b	5239-08	MPG 2.5 Blast Tube	1				
15a	2020800	6" Mounting Flange MPG 1.5	1				
15b	5239-15	8" Mounting Flange MPG 2.5	1				
16a	8404-29	1" T-Handle Ball Valve	1				
16b	8404-61	1- 1/4" T-Handle Ball Valve	1				
16c	8404-62	1- 1/2" T-Handle Ball Valve	1				
16d	8404-63	2" T-Handle Ball Valve	1				
17a	8418-03	1" Solenoid Gas Valve 120v	1				
17b	8402-06	1-1/4" Solenoid Gas Valve 120v	1				
17c	8402-07	1-1/2" Solenoid Gas Valve 120v	1				
17d	8402-18	2" Solenoid Gas Valve 120v	1				
18a	8419-24	1" 2-Way Comb Dv Valve 120v	1				
18b	8419-81	1-1/4" 2-Way Comb Dv Valve 120v	1				
18c	8419-82	1-1/2" 2-Way Comb Dv Valve 120v	1				
18d	8419-83	2" 2-Way Comb Dv Valve 120v	1				
19a	8404-67	1" Ball Valve Without Side Tap	1				
19b	8404-66	1-1/4" Ball Valve Without Side Tap	1				
19c	8404-65	1-1/2" Ball Valve Without Side Tap	1				
19d	8404-64	2" Ball Valve Without Side Tap	1				
20	5238-22	MPG 1.5/2.5 Inlet Ring	1				

Not Shown

5238-39	Leak Test Cock Kit
5238-77	MPG Pilot Orifice Assembly Stamped B
5238-79	MPG Pilot Orifice Assembly Stamped A
5239-13	Rope Gasket, 8" Tube (MPG 2.5)
5240-89	Rope Gasket, 6" Tube (MPG 1.5)
5243-42	500 Ohm Resistor Kit
8406-68	DPST Relay - 120V (Motor Starter)
8425-52	Pressure Diff Switch
8471-51	Installation & Service Manual

Cartridge Assemblies and Gas Flow Control -See page 4

Cartridge Assemblies



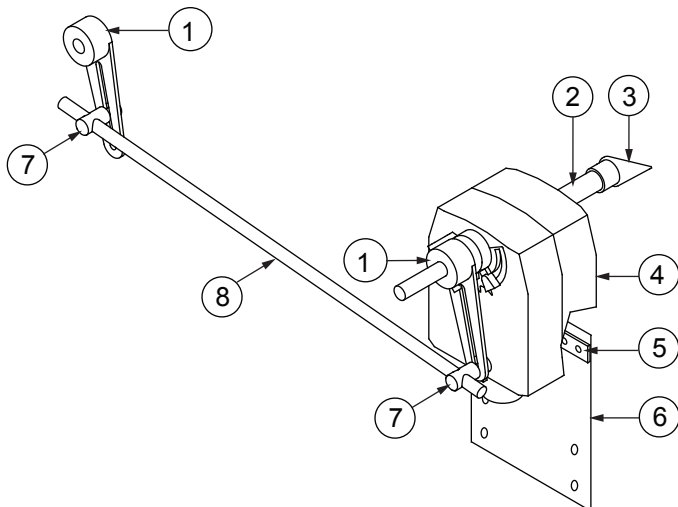
* Refer to list for variations of part numbers

Item	Part #	Description	Qty
1a	5238-30	MPG 1.5 FR Cartridge Assembly	1
1b	5239-30	MPG 2.5 FR Cartridge Assembly	1
2	7122-90	Peep Sight Assembly	1
3	5238-49	Spark Plug	1
4	5238-20	Pilot Weldment-Flame Rod (MPG 1.5/2.5)	1
5	5236-18	Flame Rod Assembly	1
6a	5238-09	MPG 1.5 FR Crtg Wldmt Swirlier	1
6b	5239-09	MPG 2.5 FR Crtg Wldmt Swirlier	1
7	5238-84	Pilot Weldment - UV (MPG 1.5/2.5)	1
8	8428-05	UV Sensor	1
9a	5238-82	MPG 1.5 UV Cartridge Wlmt Swirlier	1
9b	5239-82	MPG 2.5 UV Cartridge Wlmt Swirlier	1
10a	5238-02	MPG 1.5 UV Cartridge Assembly	1
10b	5239-02	MPG 2.5 UV Cartridge Assembly	1

Not Shown

5238-42	Ignition Wire - MPG 1.5/2.5
8506-38	Flame Rod Wire MPG 1.5/2.5

Gas Flow Control for Two-Stage and Full Modulating Burners



Item	Part #	Description	Qty
1	8450-94	Crank Arm Shrt	2
2	5243-30	MPG Gas Valve Shaft	1
3	5243-32	MPG Gas Valve Indicator	1
4	5243-38	MPG Belimo Assembly	1
5	5243-39	MPG Belimo Anti-Rotation Bracket	1
6	5243-31	MPG Actuator Holder	1
7	8450-18	5/16" Ball Joint	2
8	7180-25	14" Long Connecting Rod	1

Not Shown

5243-34	Butterball Valve (MPG 1.5)
5243-35	Butterball Valve (MPG 2.5)
8419-09	Belimo T F Actuator Repair Kit
8447-30	Transformer Full Mod/Hi-Lo (120V/24V)